

# HONDA

## INSTALLATION INSTRUCTIONS

Accessory

PANNIER CASE  
P/N 08L71-MKS-A00

Application

CRF1100A/A2/A4/D/D2/D4

Publication No.

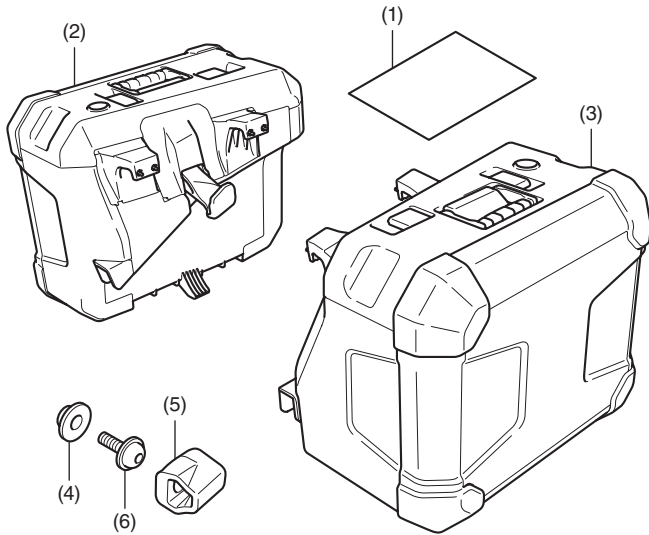
MII

Issue Date

June 2021

**Honda Dealer: Please give a copy of these instructions to your customer.**

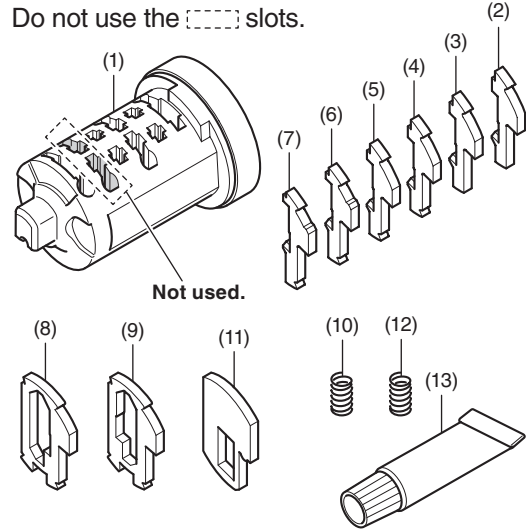
### PARTS LIST



No.	Description	Qty
(1)	URL paper	1
(2)	Right pannier case	1
(3)	Left pannier case	1
(4)	Collar	2
(5)	Rubber	2
(6)	5 mm socket bolt	2

### 1 KEY INNER CYLINDER (Wave key type)

- Do not use the [ ] slots.



No.	Description	Qty
(1)	Inner cylinder	1
(2)	No.1 tumbler	6
(3)	No.2 tumbler	6
(4)	No.3 tumbler	6
(5)	No.4 tumbler	6
(6)	No.5 tumbler	6
(7)	No.6 tumbler	6
(8)	Sub-lock tumbler A	1
(9)	Sub-lock tumbler B	1
(10)	Spring (Silver)	13
(11)	Stopper tumbler	2
(12)	Stopper spring (Black)	2
(13)	Grease	1

## TOOLS REQUIRED

Hex wrench (3 mm)

Torque wrench

## TORQUE CHART

Tighten all screws, bolts, and nuts to their specified torque values. Refer to the Service Manual for the torque values of the removed parts.

Item	N·m	kgf·m	lbf·ft
5 mm socket bolt	5.2	0.5	3.8

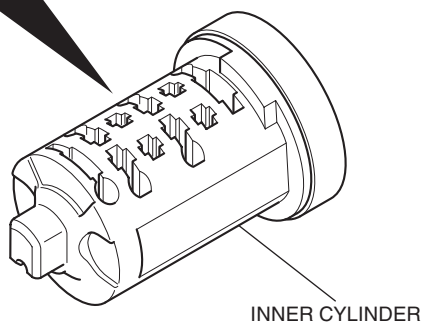
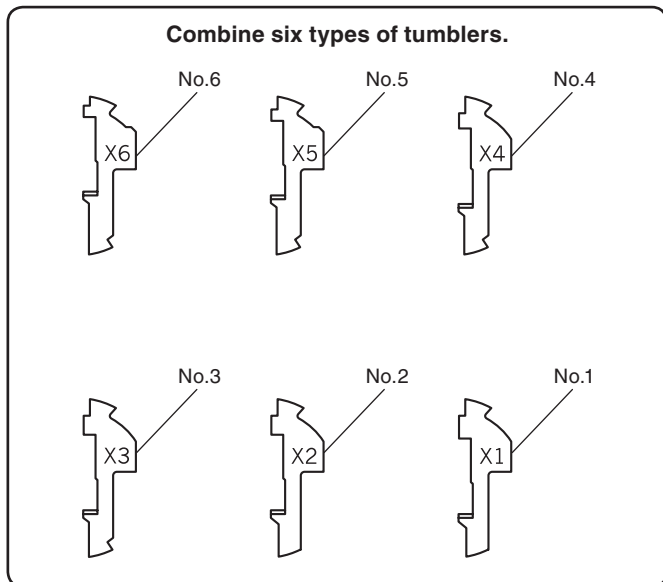
## MAXIMUM LOADING CAPACITY

- The weight of the cargo must not exceed the following maximum loading capacity:

Maximum Loading Capacity	
Right pannier case	6.0 kg (13.2 lb)
Left pannier case	6.0 kg (13.2 lb)

### < Notes regarding the key cylinder >

- This product is used to assemble a key cylinder matching the motorcycle key by combining six types of tumblers.
- When this key cylinder is installed in a box or similar equipment, the installed equipment can be operated with the motorcycle key.



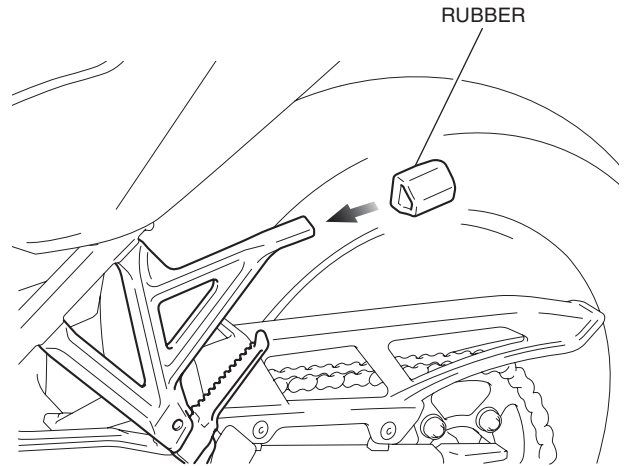
## INSTALLATION

### ▲ CAUTION

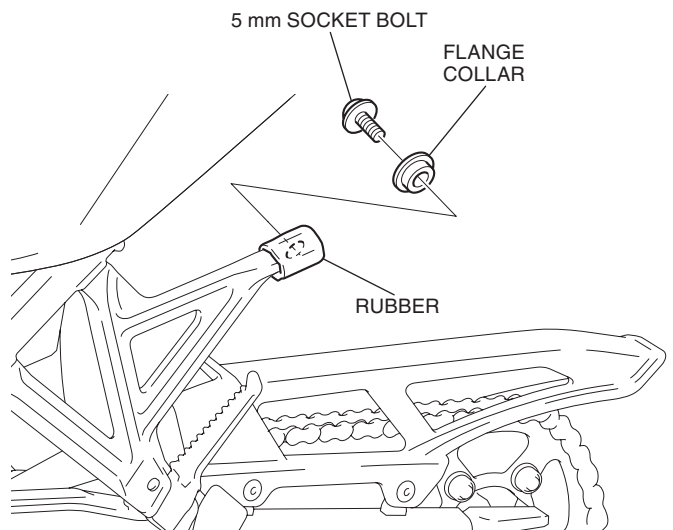
- To prevent burns, allow the engine, exhaust system, radiator, etc., to cool before installing the accessory.

1. Insert the rubber as shown.


<Left side>



2. Install the 5 mm socket bolt and flange collar as shown.

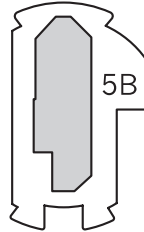
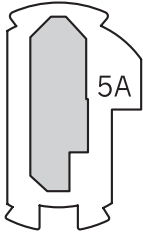


3. Install the right side rubber in the same manner as the left side.

4. The two sub-lock tumbler types shown are provided.
- The  part has a different slot for each of the two sub-lock tumbler types.
  - As the tumblers are small, keep them in the bag until they are used.

SUB-LOCK TUMBLER A


SUB-LOCK TUMBLER B



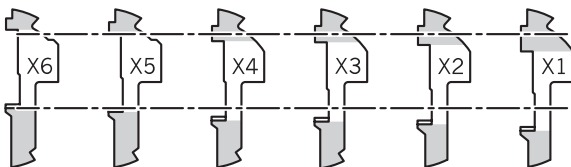
The stopper tumbler will be used later.

STOPPER TUMBLER

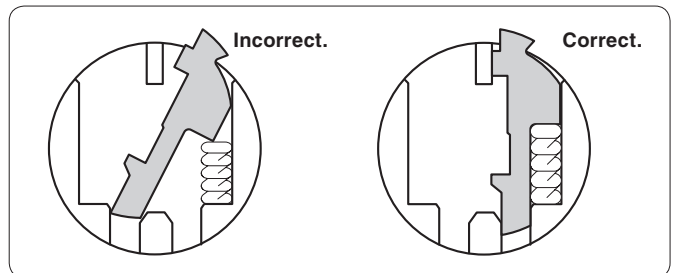
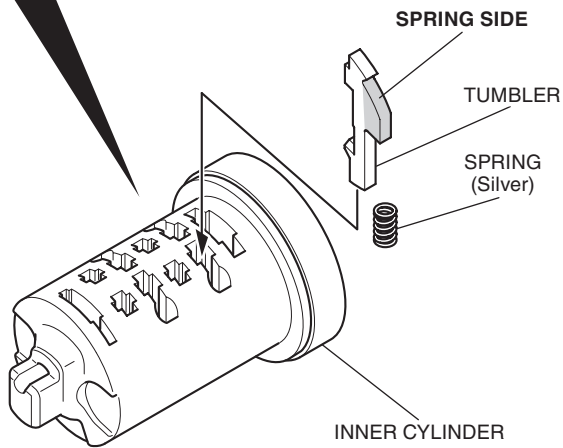
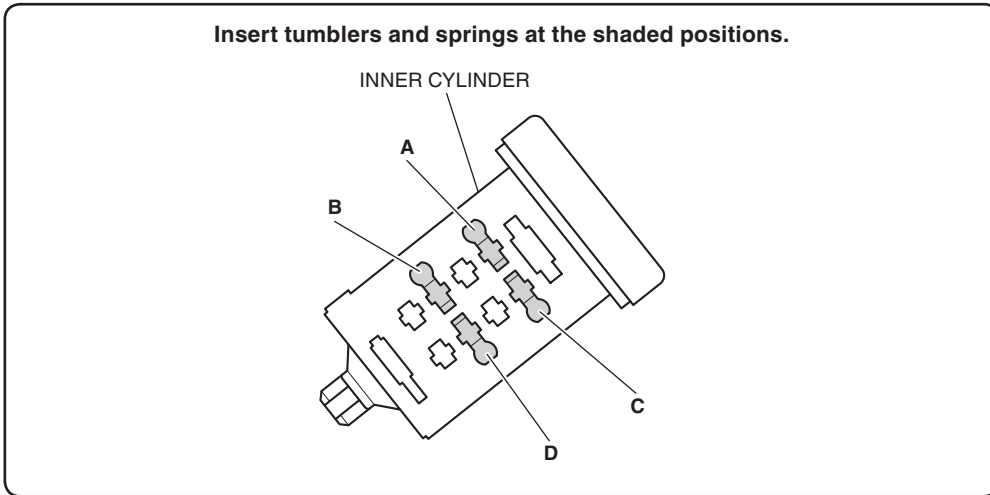


5. The six tumbler types shown are provided.
- The  part has a different width for each of the six tumbler types.
  - As the tumblers are small, keep them in the bag until they are used.

No.6      No.5      No.4      No.3      No.2      No.1

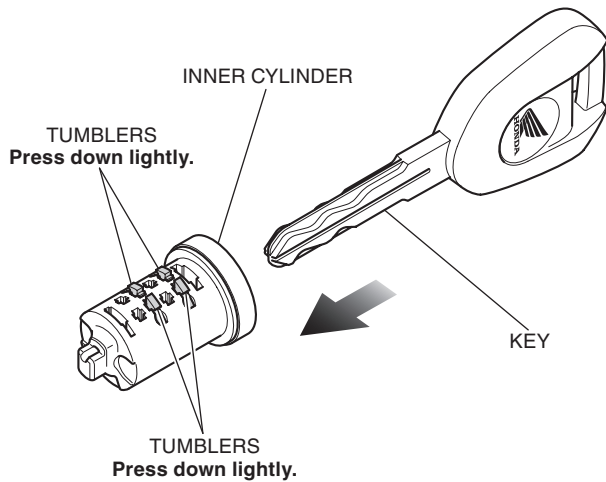


6. Install the tumblers and springs (silver) as shown.
- **First install four No.1 tumblers.**
  - **Note the installed tumbler to below chart.**

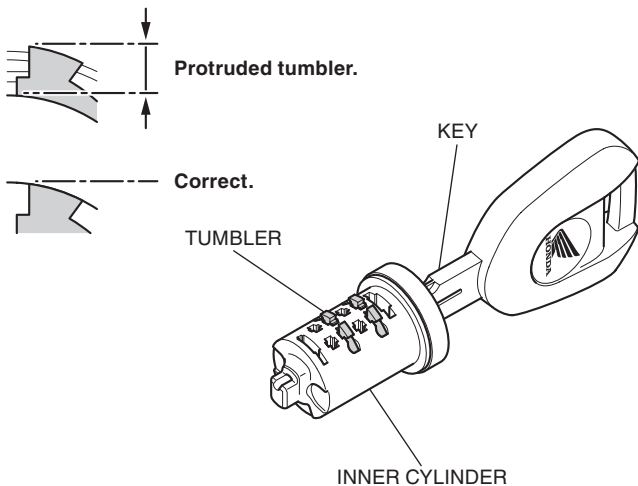


	Position A	Position B	Position C	Position D
<b>No.1 tumbler</b>				
<b>No.2 tumbler</b>				
<b>No.3 tumbler</b>				
<b>No.4 tumbler</b>				
<b>No.5 tumbler</b>				
<b>No.6 tumbler</b>				

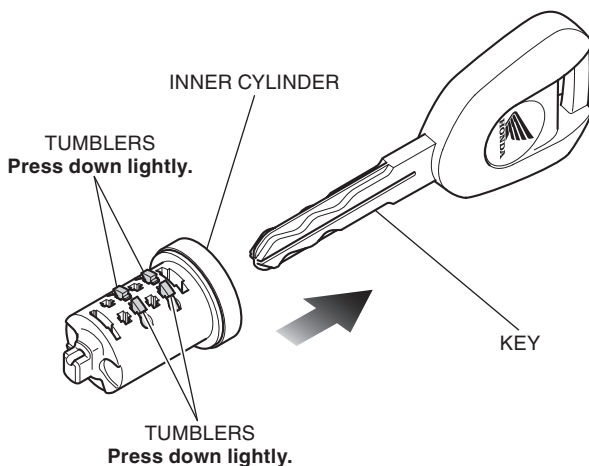
7. Insert the key as shown.
- **Lightly press down on the tumblers from above, then insert the key.**



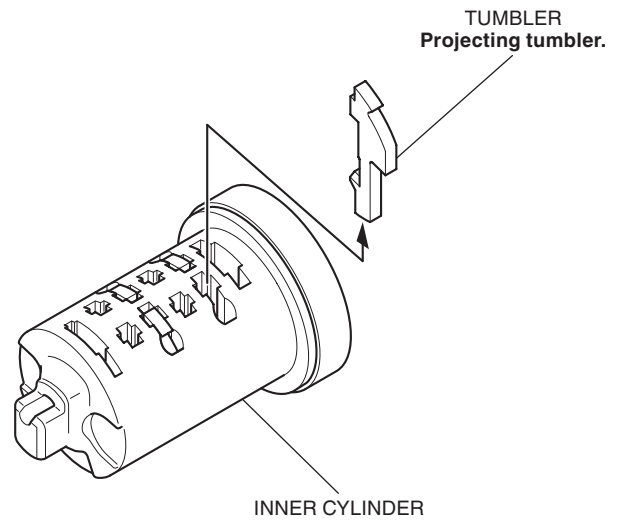
8. Confirm that some tumblers are projecting. Mark the positions of the projected tumblers.
- **The positions where tumblers project and the projecting height differ according to the key.**



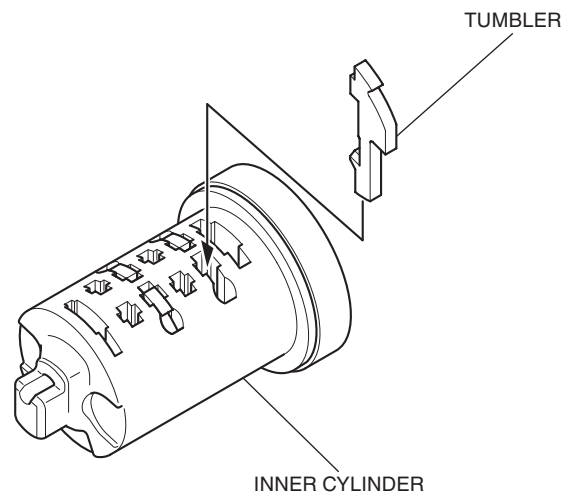
9. Press down lightly on the tumbler, pull the key out.
- **The tumbler spring may jump out when the tumbler is not pressed down lightly.**



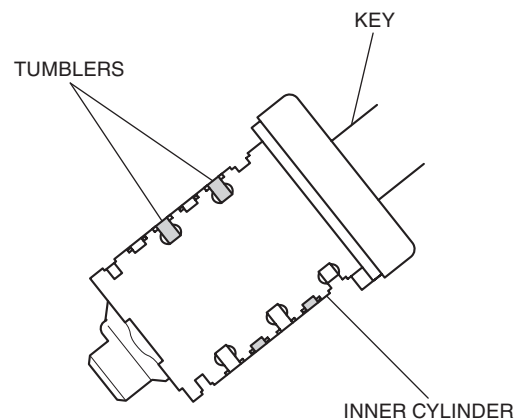
10. Pull out the projecting tumbler(s).
- **Leave the spring(s) installed.**



11. Insert a different tumbler(s) at the marked positions.
- **Use a tumbler of young number one stage.**

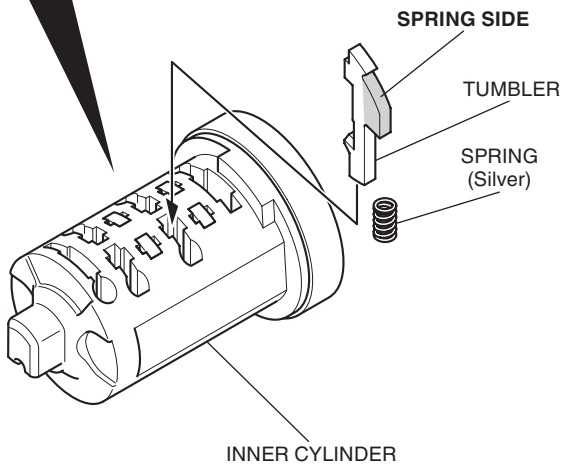
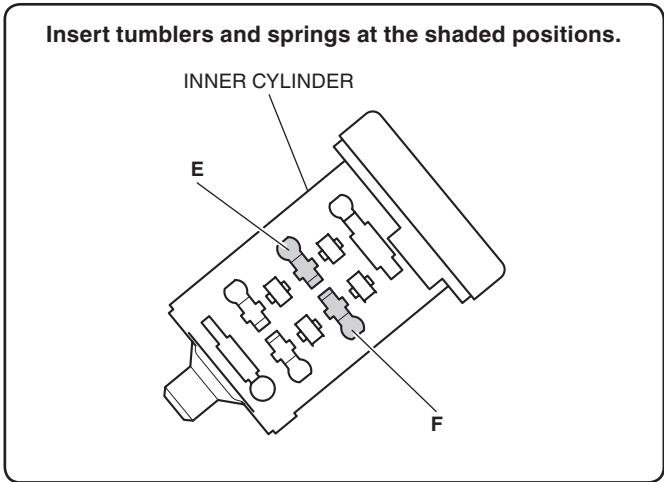


12. Repeat steps 7 to 11, inserting different tumblers at the marked positions until no tumblers are projected.
- **Lightly press down on the tumblers from above, then insert the key.**



13. Install the tumblers and springs (silver) to the reverse side inner cylinder as shown.

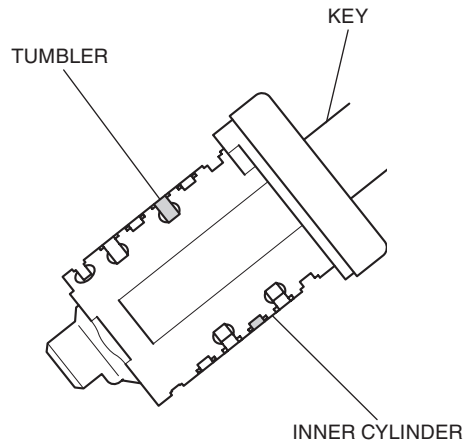
- First install two No.1 tumblers.



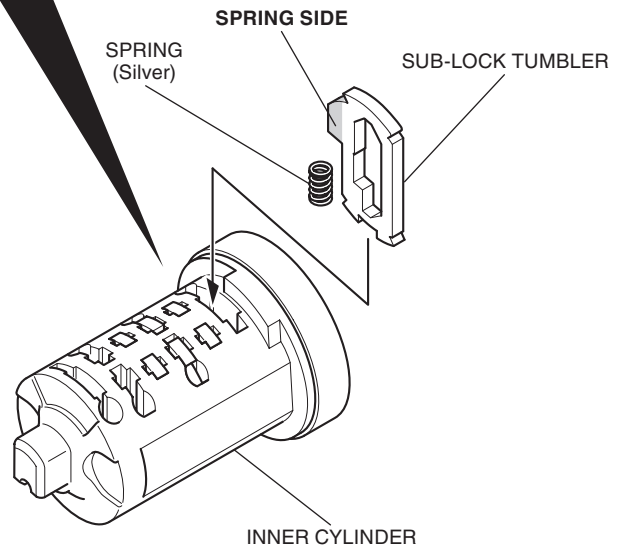
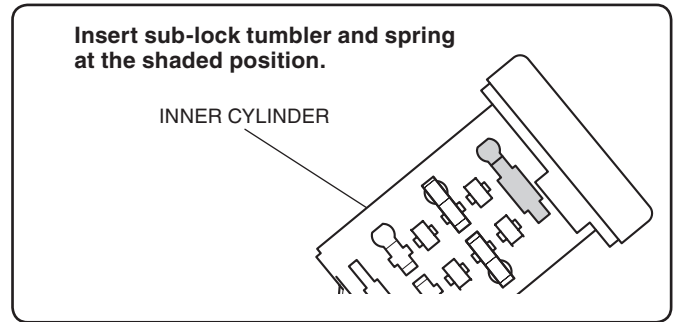
- Note the installed tumbler to below chart.

	Position E	Position F
No.1 tumbler		
No.2 tumbler		
No.3 tumbler		
No.4 tumbler		
No.5 tumbler		
No.6 tumbler		

14. Use steps 7 through 11 to assemble the reverse side inner cylinder in the same manner.



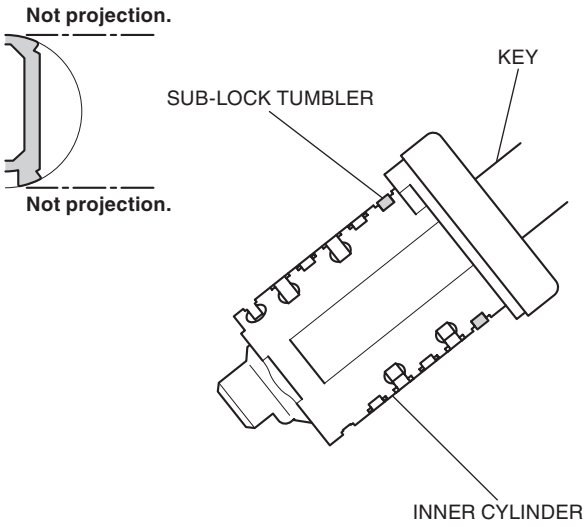
15. Install the sub-lock tumbler as shown.



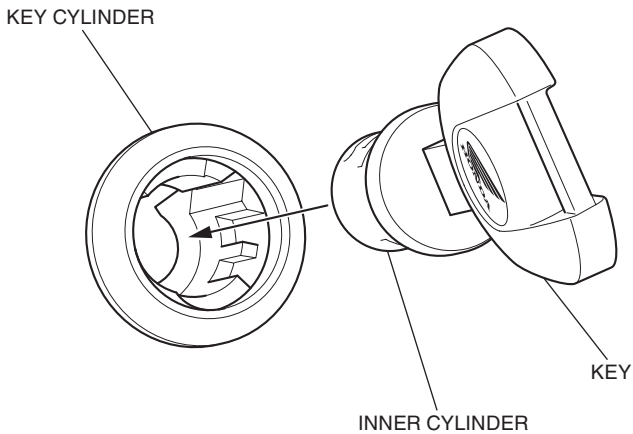
- Note the installed tumbler to below chart.

Sub-lock tumbler A	
Sub-lock tumbler B	

16. Confirm that sub-lock tumbler is not projecting.
- **If the tumbler is projected, change the another sub-lock tumbler and recheck.**

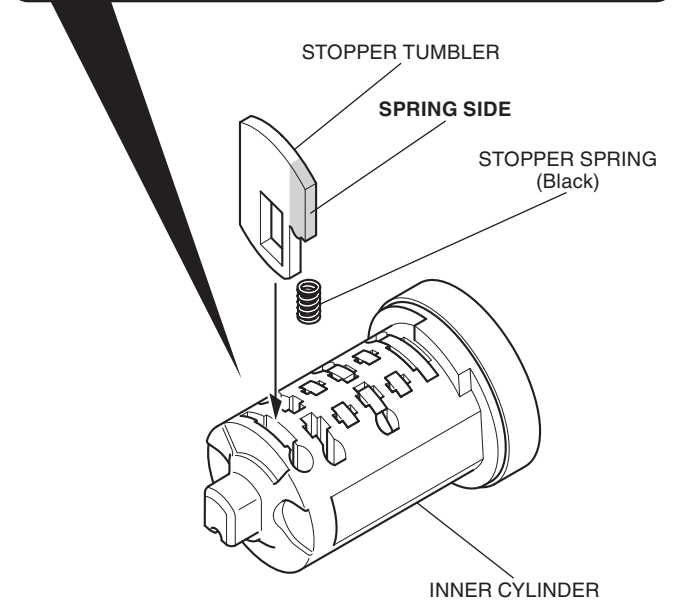
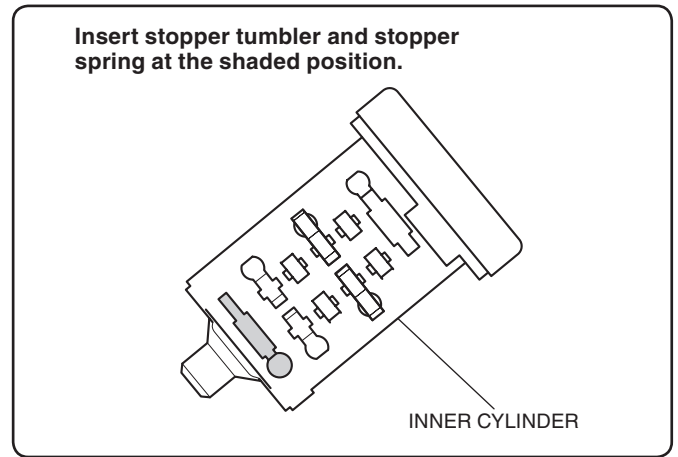


17. Insert the assembled inner cylinder into the key cylinder as shown.
- **Confirm the inner cylinder turns clockwise smoothly.**

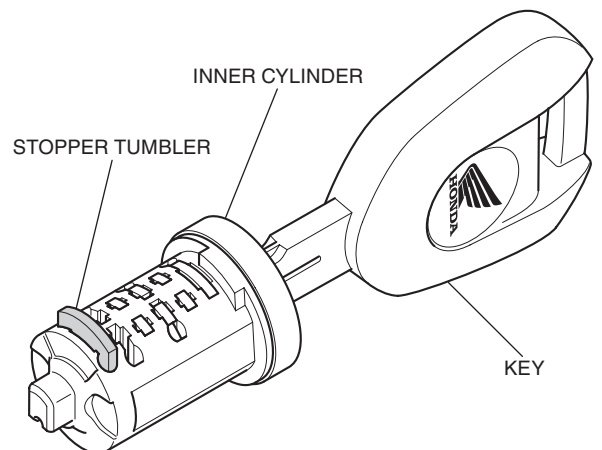


18. Pull out the inner cylinder.
19. Press down lightly on the tumblers and pull out the key.

20. Install the stopper tumbler and stopper spring (black) as shown.

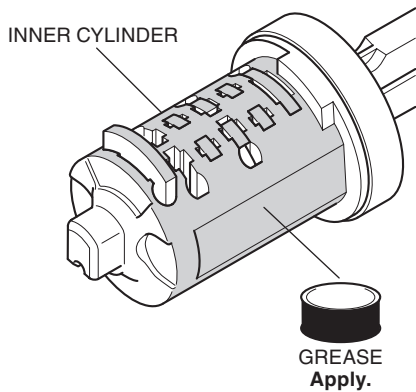


21. Insert the key as shown.
- **Lightly press down on the tumblers from above, then insert the key.**
  - **Confirm that the stopper tumbler jumps out.**



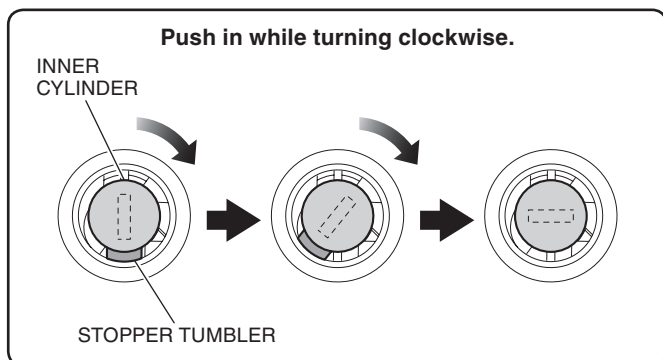
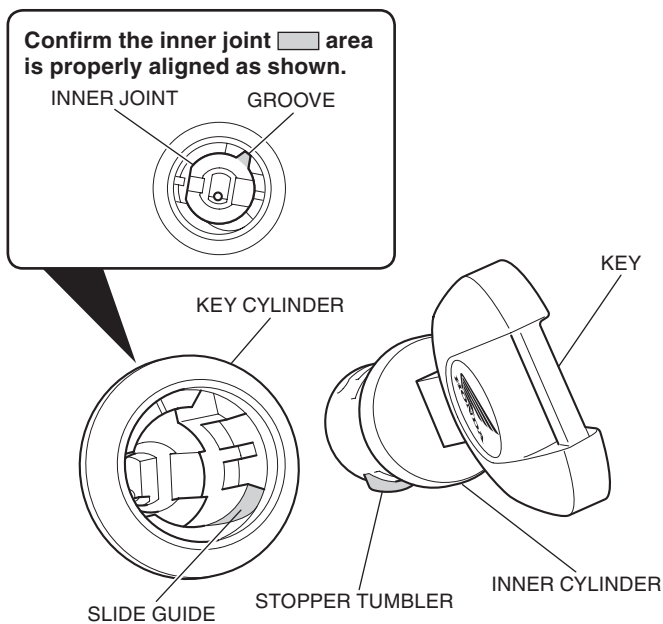
22. Apply grease to the shaded areas as shown.

- Apply to the tumbler and to the outer circumference of the inner cylinder.
- Only use the supplied grease.



23. Install the inner cylinder by sliding the stopper tumbler along the slide guide while rotating it.

- If the inner cylinder cannot be inserted, again confirm that no tumblers other than the stopper tumbler have jumped out.



24. Draw out the key and check that the inner cylinder does not come out.

25. Install the inner cylinder to other pannier case in the same manner.

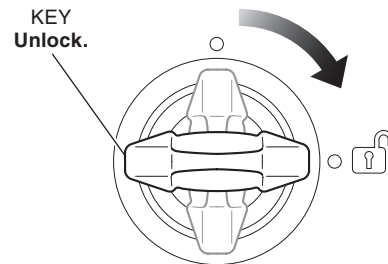
## FOR USE OF THE PANNIERS

### ⚠ CAUTION

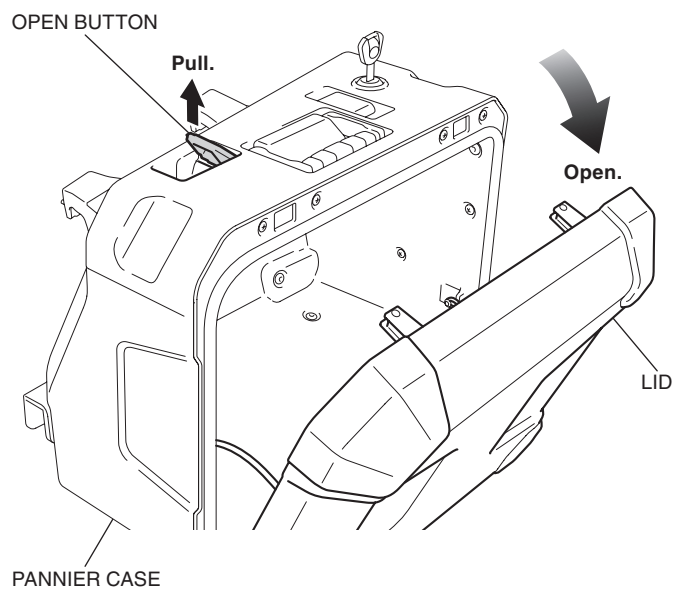
- To prevent burns, allow the engine, exhaust system, radiator, etc., to cool before installing and removing the accessory.

### How to Open the Panniers

1. Insert the key and release the lock by turning the key clockwise.



2. Pull the open button to open the lid as shown.



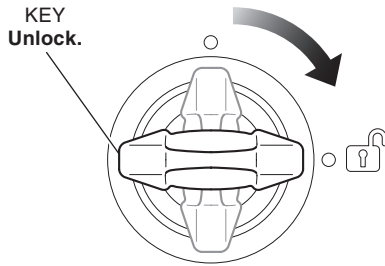
### How to Close the Panniers

1. Close and lock the pannier case in reverse order of opening.
  - Be careful not to have the stored item pinched when the pannier case is closed.

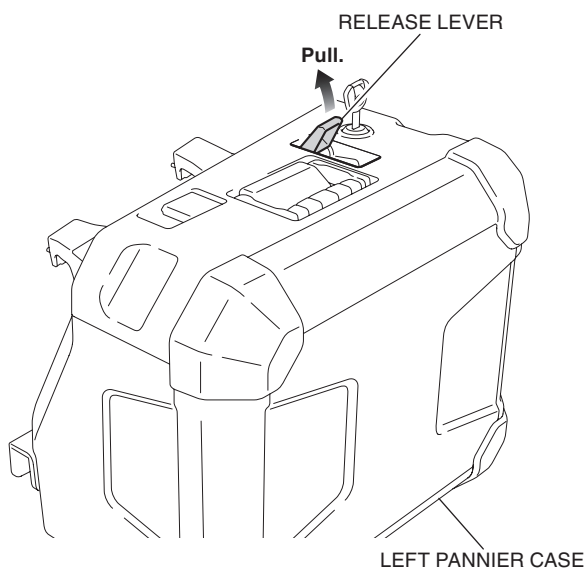


## How to Install the Panniers

1. Insert the key and release the lock by turning the key clockwise.

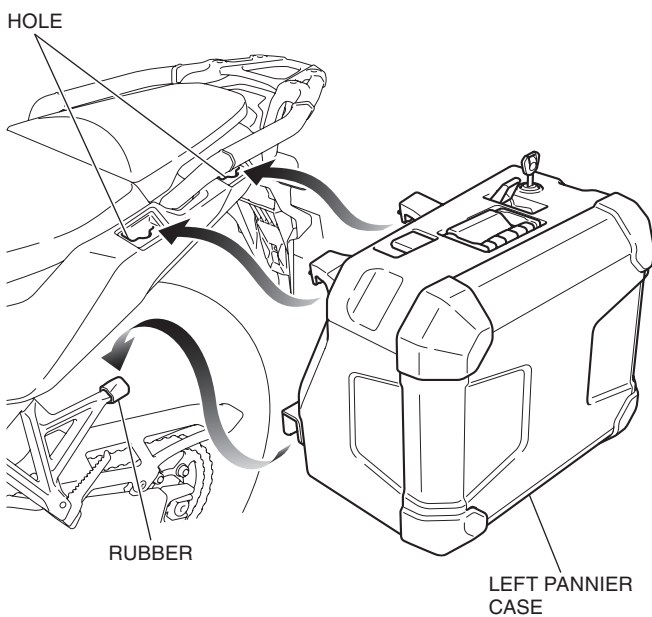


2. Pull the release lever as shown.

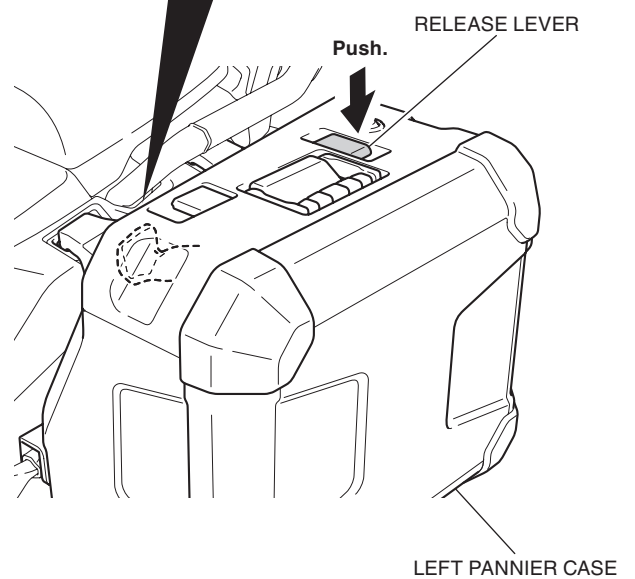
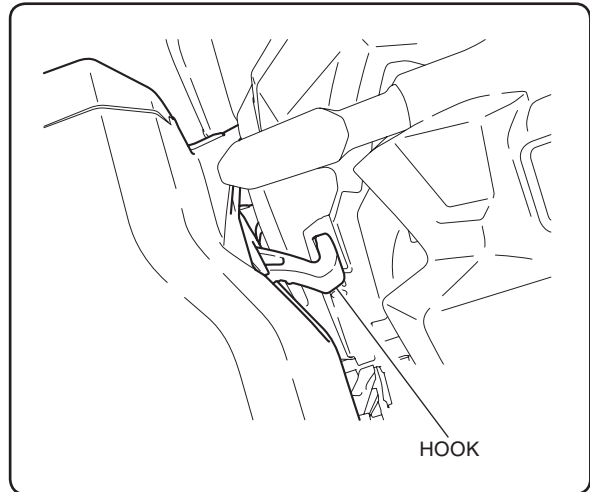


3. Install the left pannier case as shown.
  - First engage at the rubber and then install at the two holes.

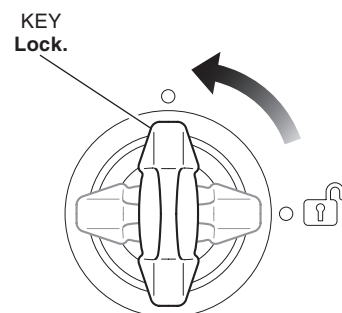
<Left side>



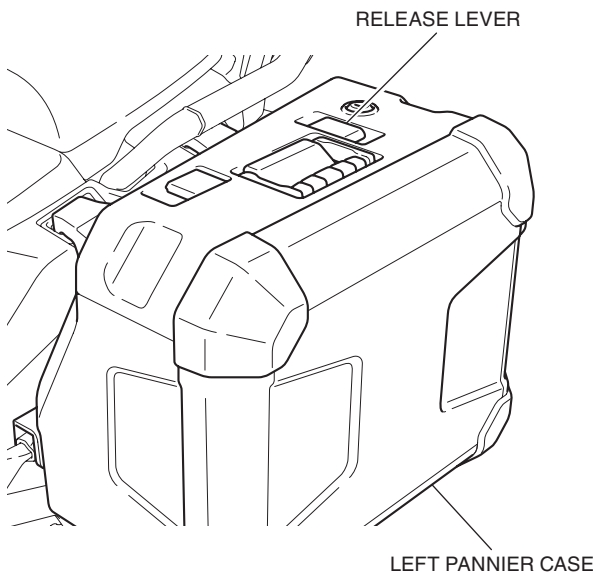
4. Push the release lever as shown.



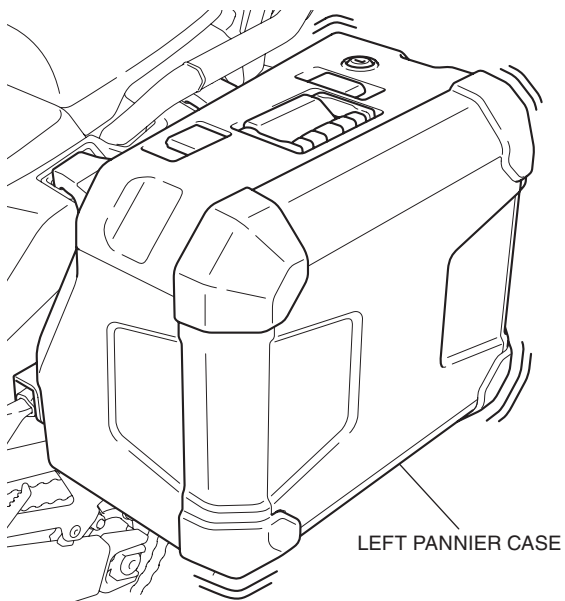
5. Lock the pannier by turning the key counter-clockwise.



- Remove the key. Be sure that the release lever cannot be released.



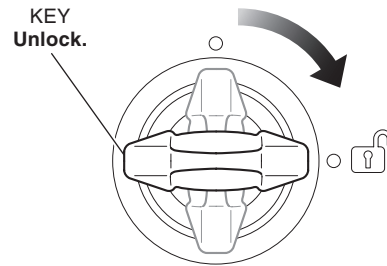
- Check that the left pannier case is installed securely by swinging the left pannier case taking care not to fall the motorcycle down.
  - The left pannier case can come off during riding unless it is mounted securely.**



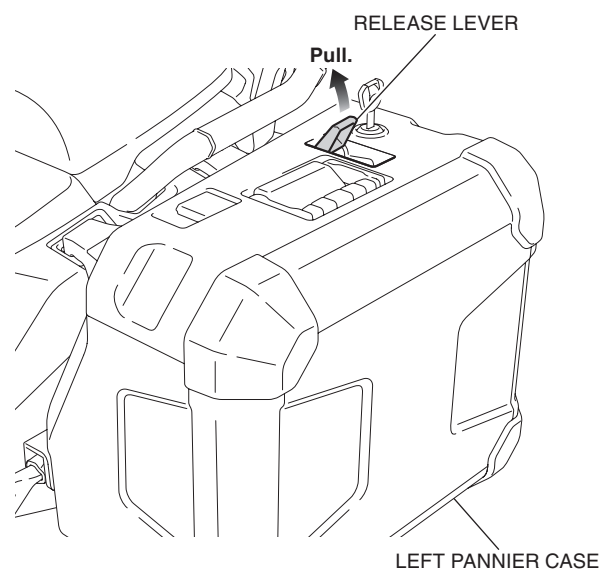
- Install the right pannier case in the same manner as the left side.

## How to Remove the Panniers

- Insert the key and release the lock by turning the key clockwise.



- Pull the release lever as shown.



- Remove the panniers in the reverse order of installation.

## How to Store the Pannier Inner bag

- Open the pannier case and store the pannier inner bag.
- Close the pannier case.
  - Be careful not to have the stored item pinched when the pannier case is closed.**